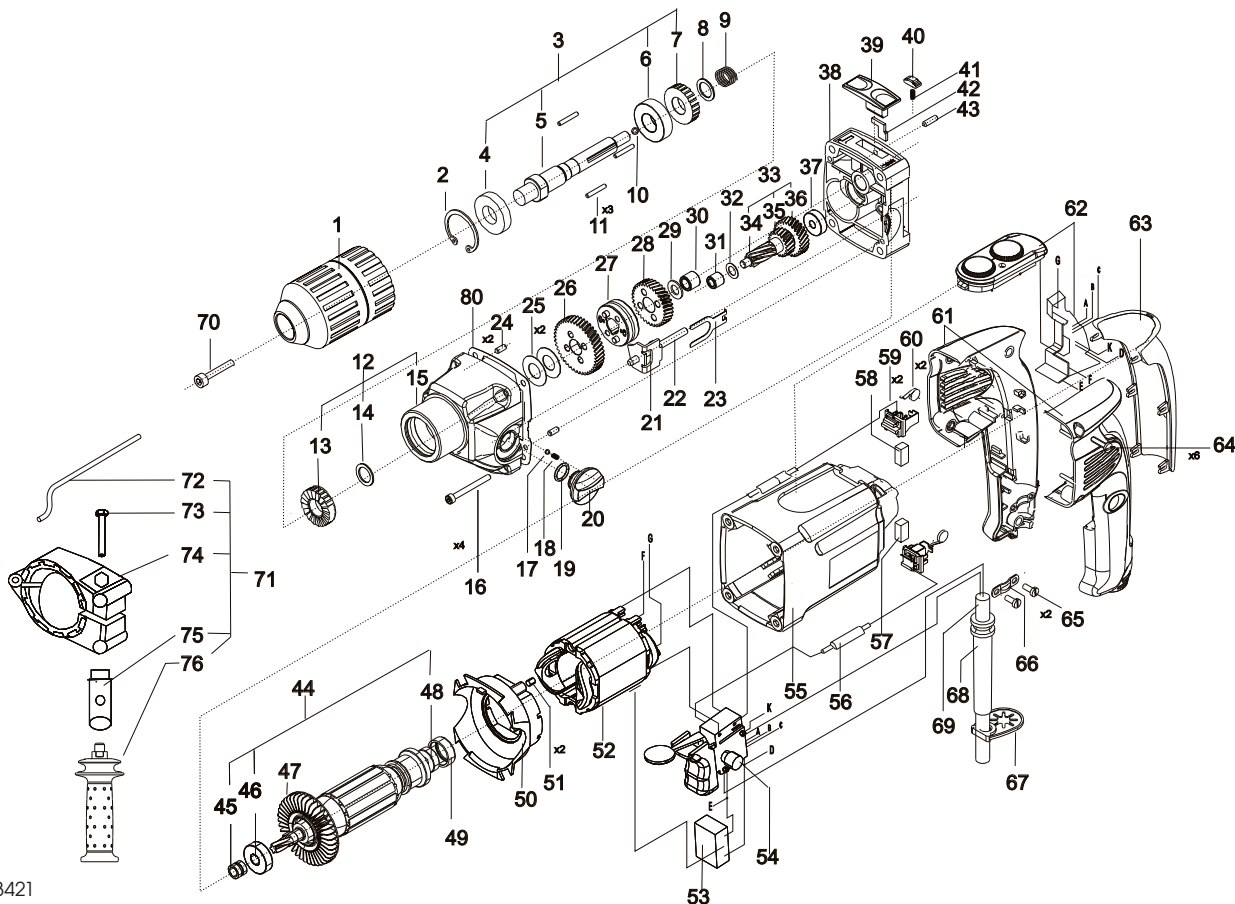


POS. No.	Ref. No.	Description	POS. No.	Ref. No.	Description
1	124874	Chuck C 13	40	119814	Fixing bit
2	890311	Circlip J32x1,2	41	130580	Spring
3	124075	Spindle set	42	116831	Plate
4	330266	Gasket R15x32x7UEN TREC00150	43	116884	Pin
5	124077	Spindle	44	151972	Armature set
6	330014	Bearing 6002-2Z	45	130581	Bush
7	119185	Hammer bush	46	330942	Bearing 609 2RSL P63 LDS18SpA
8	140005	Washer	47	152579	Fan
9	119022	Spring	48	330582	Bearing 6262ZP6E LDS18 SKF
10	330074	Pellet 5-200	49	129087	Elastic sleeve
11	330267	Needle for bearing B3x19.8 G	50	151969	Diffuser
12	143290	Gear box set	51	151947	Claming pin
13	119187	Hammer bush	52	151982	Stator set
14	115958	Spacer washer	53	152856	Capacitor
15	143292	Gear box	54	170572	Switch DEFOND
16	361409	Screw K5X45 TORX 20	55	151965	Body
17	330073	Pellet 3,5-200	56	153323	Choke 7uH,6A,250V
18	130580	Spring	57	153057	Brush with a switch
19	330339	O-ring 2-11x2-2	58	153056	Brush
20	127842	Gear switch	59	151971	Brush holder set
21	151959	Switching plate	60	254364	Spiral spring
22	122440	Axle	61	151966	Casing handle set
23	122444	Locking panel	62	159320	Electronic block
24	115865	Pin	63	154354	Insert
25	117848	Spacer washer	64	361425	Screw K4X16 TORX 20
26	122427	Spindle gear I	65	361360	Screw K 4X9.5 TORX 20
27	124078	Clutch set	66	256500	Cord clamp
28	122434	Spindle gear II	67	114292	Key holder
29	122435	Spacer washer	68	206687	Cord protector
30	330233	Bearing HK0810RS	69	158698	Cord with a plug euro plug RAL 3020
31	330119	Bearing HK0609	70	360582	Screw M6LHX30-8.8
32	140033	Spacer washer	71	179386	Auxiliary handle set AVR M14/L12
33	122436	Gear shaft set	72	151159	Depth gauge
34	122437	Gear shaft	73	360860	Bolt D1-M8X45
35	122438	Spindle gear II for Gear shaft	74	152479	Semi-ring comple
36	122439	Large intermediate gear	75	153840	Handle extension
37	330017	Bearing 626	76	146374	Handle AVR
38	143291	Bearing shield	80	151958	Gasket
39	151961	Slide			



143421

143418